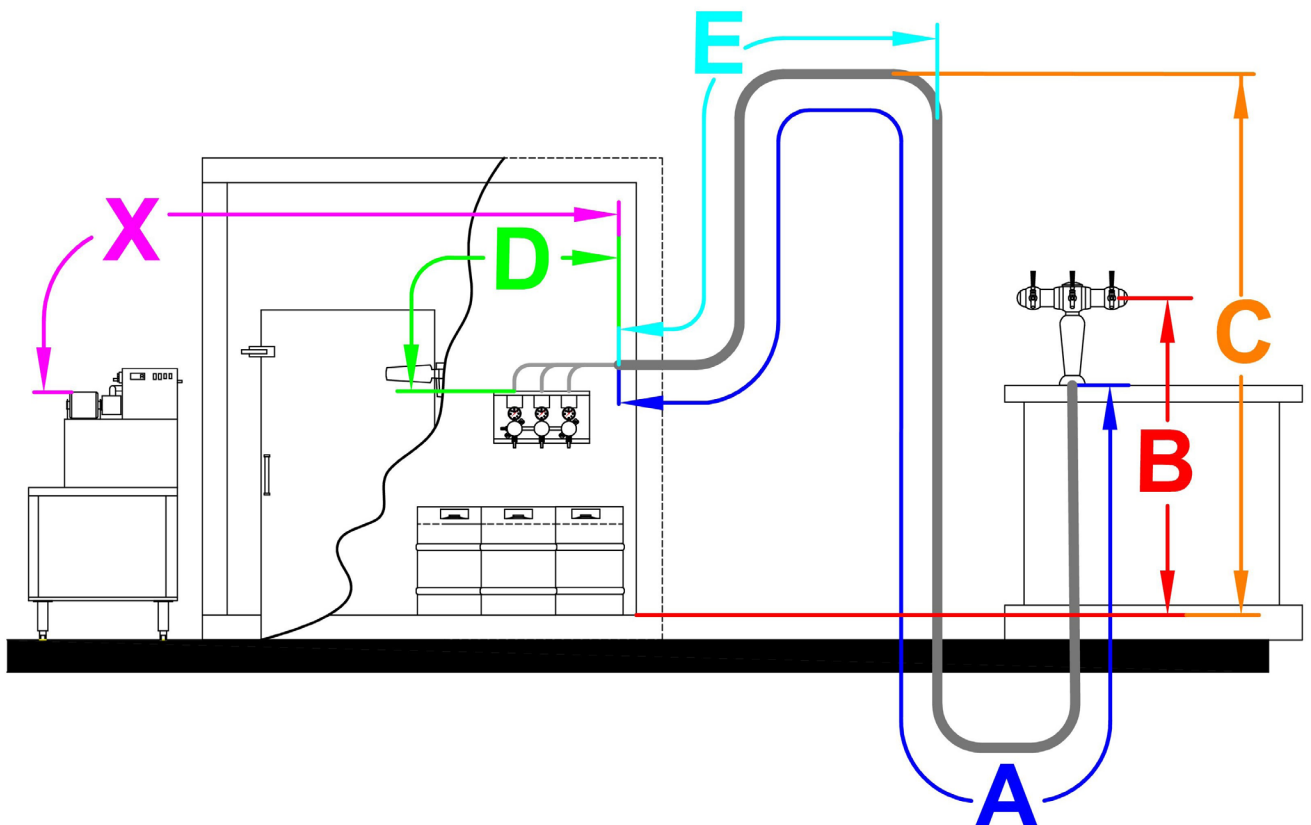
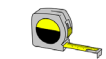


# Century Beer Systems Worksheet

## Type 3: Up and Over System



Altitude: \_\_\_\_\_ ft.



### System Dimensions

- "A" (Insulated Trunk Hsg): \_\_\_\_\_ ft.
- "B" (Lift): \_\_\_\_\_ ft.
- "C" (Negative Lift): \_\_\_\_\_ ft.
- "D" (Un-Insulated Trunk Hsg): \_\_\_\_\_ ft.
- "E" (Horizontal Run): \_\_\_\_\_ ft.
- "X" (Coolant Connector Kit): \_\_\_\_\_ ft.



### Manifold Requirements

- None
- 2 Beverage Lines
- 3 Beverage Lines



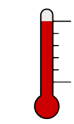
### Beverage Tube Line Size

- 3/8" (.375)
- 5/16" (.312)
- 1/4" (.250)



### Preferred Pressure Source

- CO<sub>2</sub>
- Blended CO<sub>2</sub>/N
  - 70/30
  - 60/40
  - 50/50
- Beer Pumps



### Ambient Temperatures

	75°F	85°F	95°F	105°F	Other °F
Power Pak Area	<input type="checkbox"/>	<input type="checkbox"/>	<input type="checkbox"/>	<input type="checkbox"/>	<input type="checkbox"/>
Trunk Area	<input type="checkbox"/>	<input type="checkbox"/>	<input type="checkbox"/>	<input type="checkbox"/>	<input type="checkbox"/>
Tower Area	<input type="checkbox"/>	<input type="checkbox"/>	<input type="checkbox"/>	<input type="checkbox"/>	<input type="checkbox"/>



### Walk-In Cooler

Dimensions: \_\_\_\_\_ L x \_\_\_\_\_ W  
 Temperature: \_\_\_\_\_ °F

Notes:

Name: \_\_\_\_\_

Territory: \_\_\_\_\_

Date: \_\_\_\_\_

This schematic worksheet **does not** represent job site conditions and **is not** to be used for construction.

Job Name: \_\_\_\_\_

City: \_\_\_\_\_ State: \_\_\_\_\_

Customer: \_\_\_\_\_ PO#: \_\_\_\_\_

Property of the Perlick Corp. not to be copied or used detrimental to our interests.

